

Plasma/ LCD Mobile Stand

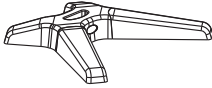







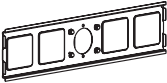















Model: **AV387**









Revision 0




User Operation Guide

PACKAGING CONTENT

| | | | |
|--|--|--|--|
|  Part 1 Base - 1 pc |  Part 2 Castel Wheel - 2 + 2 pcs |  Part 3 Pole - 1 pc |  Part 4 Shelving Arm - 2 pcs |
|  Part 5 Glass Shelf - 1 pc |  Part 6 Component Tray - 1 pc |  Part 7 Rectangular Nut - 1 pc |  Part 8 T Stud - 2 pcs |
|  Part 9 Wall Plate - 1 pc |  Part 10 Hook - 2 pcs |  Part 11 Knob - 2 pcs |  Part 12 Cap - 1 pc |
|  Part 13 Cable Cover - 3 pcs | | | |

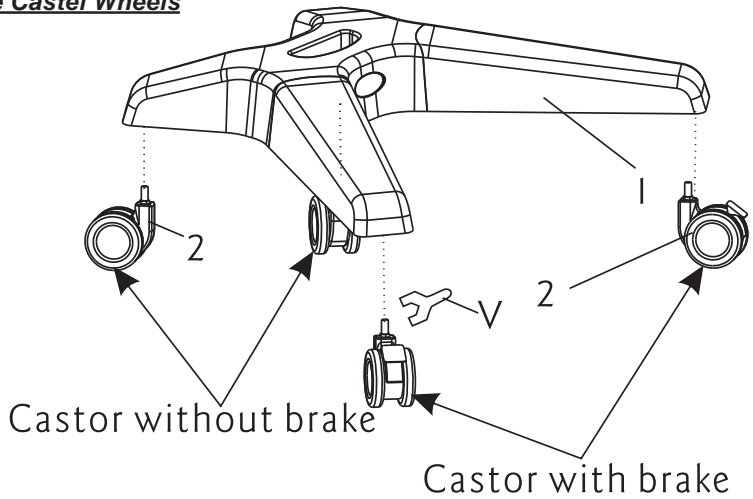
| | | | |
|---|---|---------|-------|
| A |  | M4 x 12 | 4 pcs |
| B |  | M4 x 16 | 4 pcs |
| C |  | M5 x 16 | 4 pcs |
| D |  | M6 x 16 | 4 pcs |
| E |  | M8 x 16 | 4 pcs |
| F |  | M5 x 36 | 4 pcs |
| G |  | M6 x 36 | 4 pcs |
| H |  | M8 x 36 | 4 pcs |
| I |  | | 4 pcs |

| | | | |
|---|---|---------|-----------|
| J |  | | 4 pcs |
| K |  | M8 x 19 | 6 pcs |
| L |  | | 6 pcs |
| M |  | M8 x 16 | 4 pcs |
| N |  | M5 x 8 | 2 pcs |
| O |  | M8 x 35 | 2 pcs |
| P |  | M6 x 36 | 2 + 2 pcs |
| Q | | | |
| R | | | |
| S |  | M5 x 25 | 4 pcs |

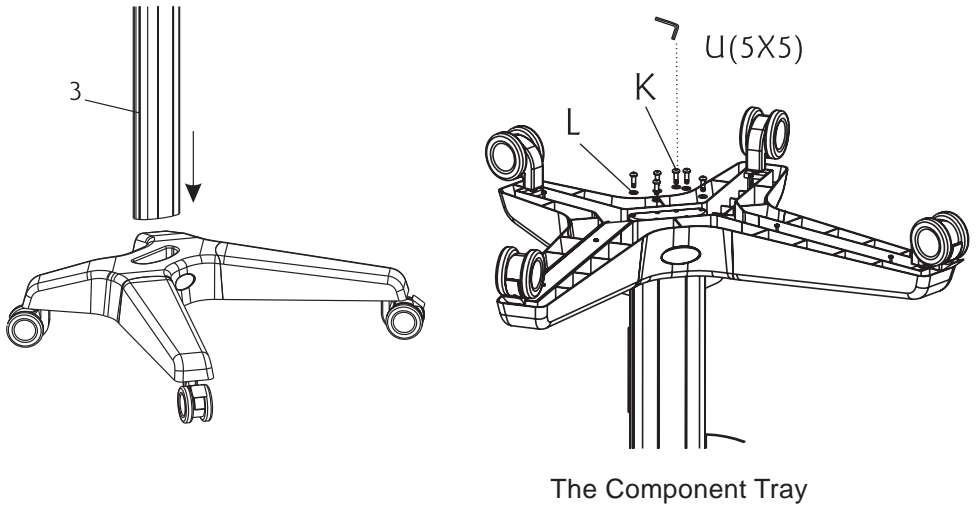
| | | | |
|---|---|----------------|-------|
| T |  | M4 x 8 | 4 pcs |
| U |  | 4 x 4 5 x 5 | 2 pcs |
| V |  | | 1 pc |

INSTALLATION GUIDES:

Step-1: Fixing the Castel Wheels

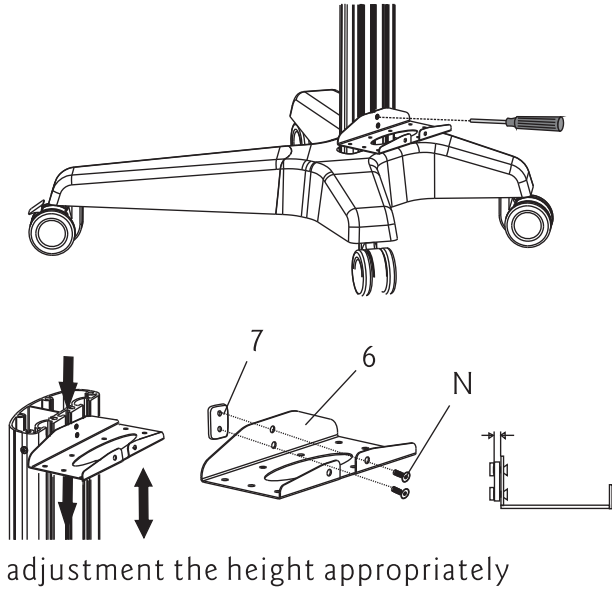


Step-2: Fixing the Pole

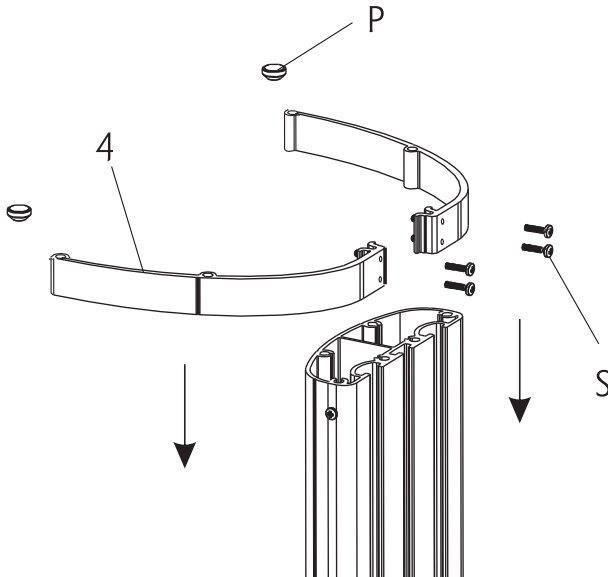


User Operation Guide

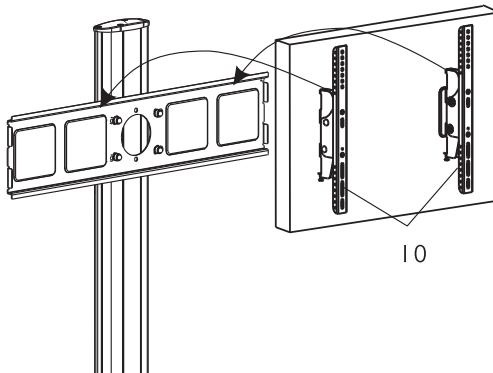
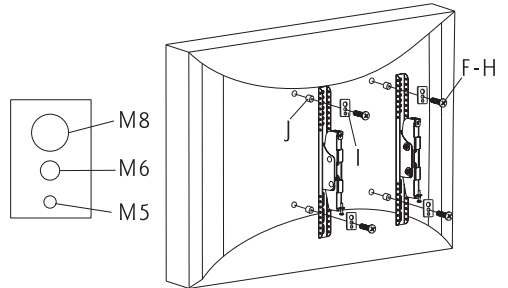
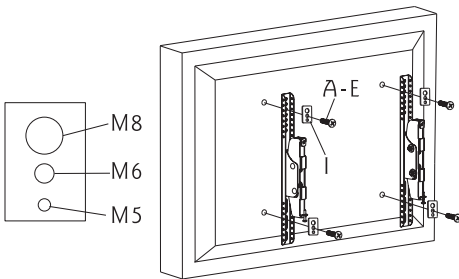
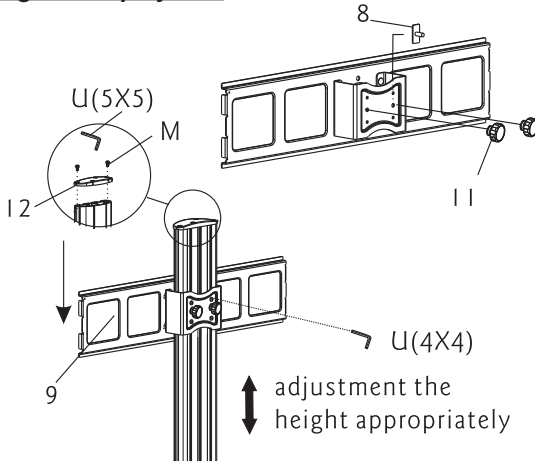
Step-3: Fixing



Step-4: Fixing the Glass Shelving

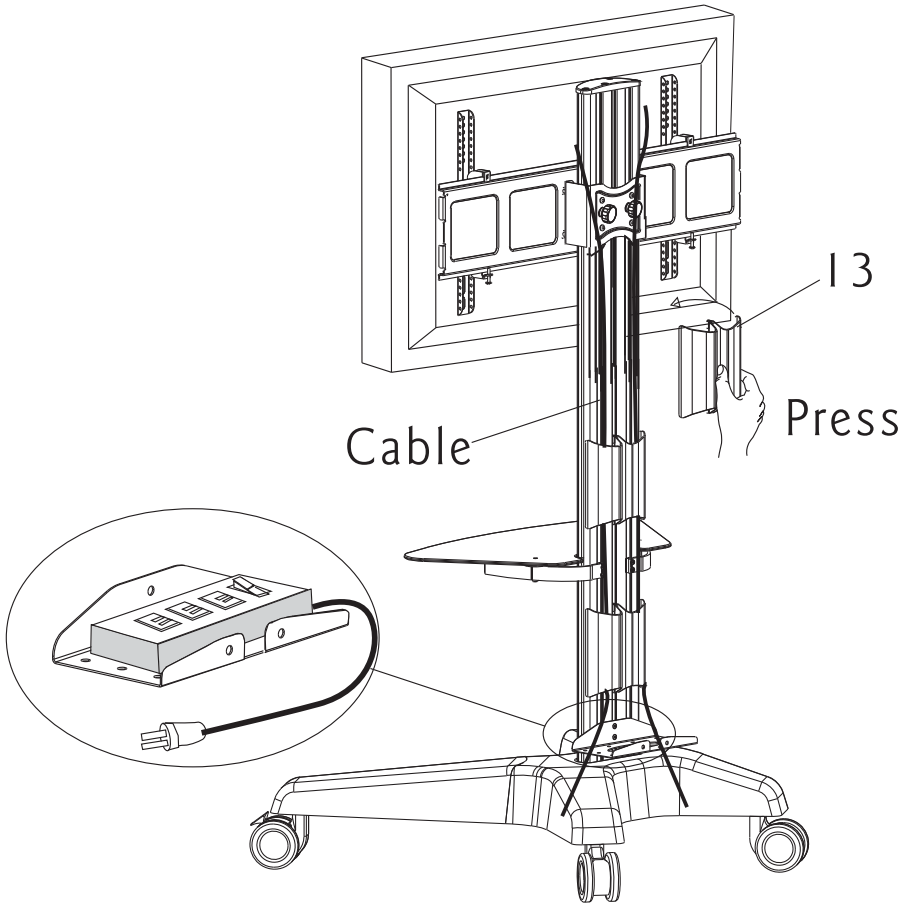


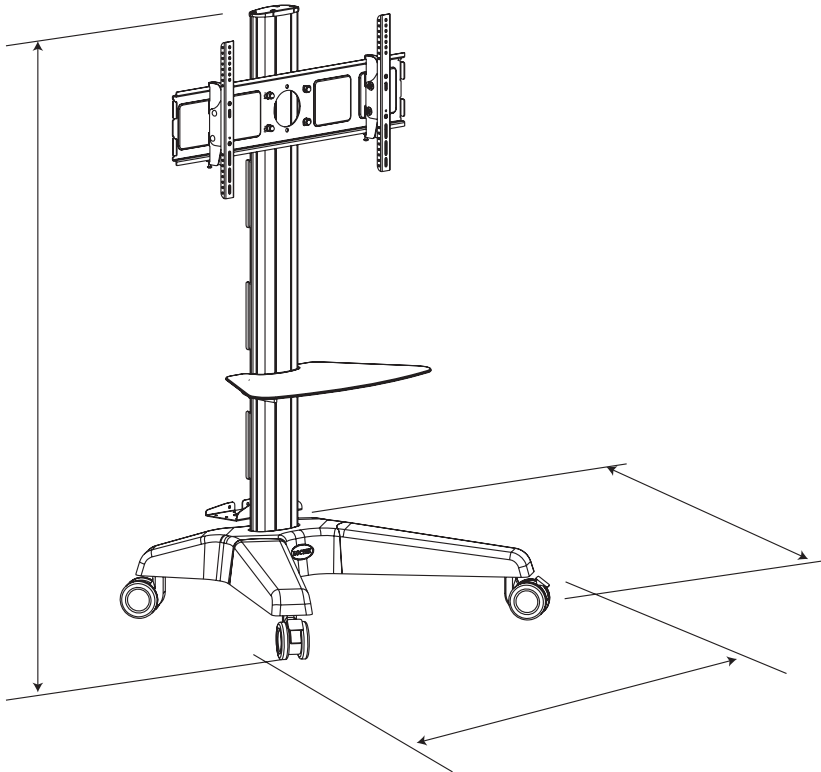
Step-5: Fixing the Display Unit



User Operation Guide

Step-6 Cable Management



TECHNICAL SPEC:


Max Load Capacity: 60 kg
 Color Option: Black and Silver

Gross Dimension
 Pole (box 1/2) 215 × 110 × 1590 mm
 Base/Accessory (box 2/2) 1285 × 975 × 165 mm

Gross Weight
 Pole (box 1/2) 8 kg
 Base/Accessory (box 2/2) 24 kg

NOTE: Do consult a qualified and authorized service technician if you encounter any technical difficulties. We are not liable for any damage or injuries arising from any improper installation or mishandling.

