

AV-TLY1271 School Trolley#1



Technical specification

- Use for stacking of Chairs or Tables.
- Can handle up to 8 stacked Chairs or Tables.
- Trolley with 4 wheels for safety and stable transportation.
- Feature 2x200mm non-marking castor wheels (with bearings) and 2x75mm swivel non-marking wheel.
- Interchangeable Platform
- Foldable rear support.
- Strap for safety securing.
- All steel construction with powder coating.
- Dimensions 710mm (W) x 1430mm (H) x 750mm (D)
- Colour: Black
- Weight: 21.5kg (With Platform), 17.2kg (w/o Platform)
- Load capacity: 80kg

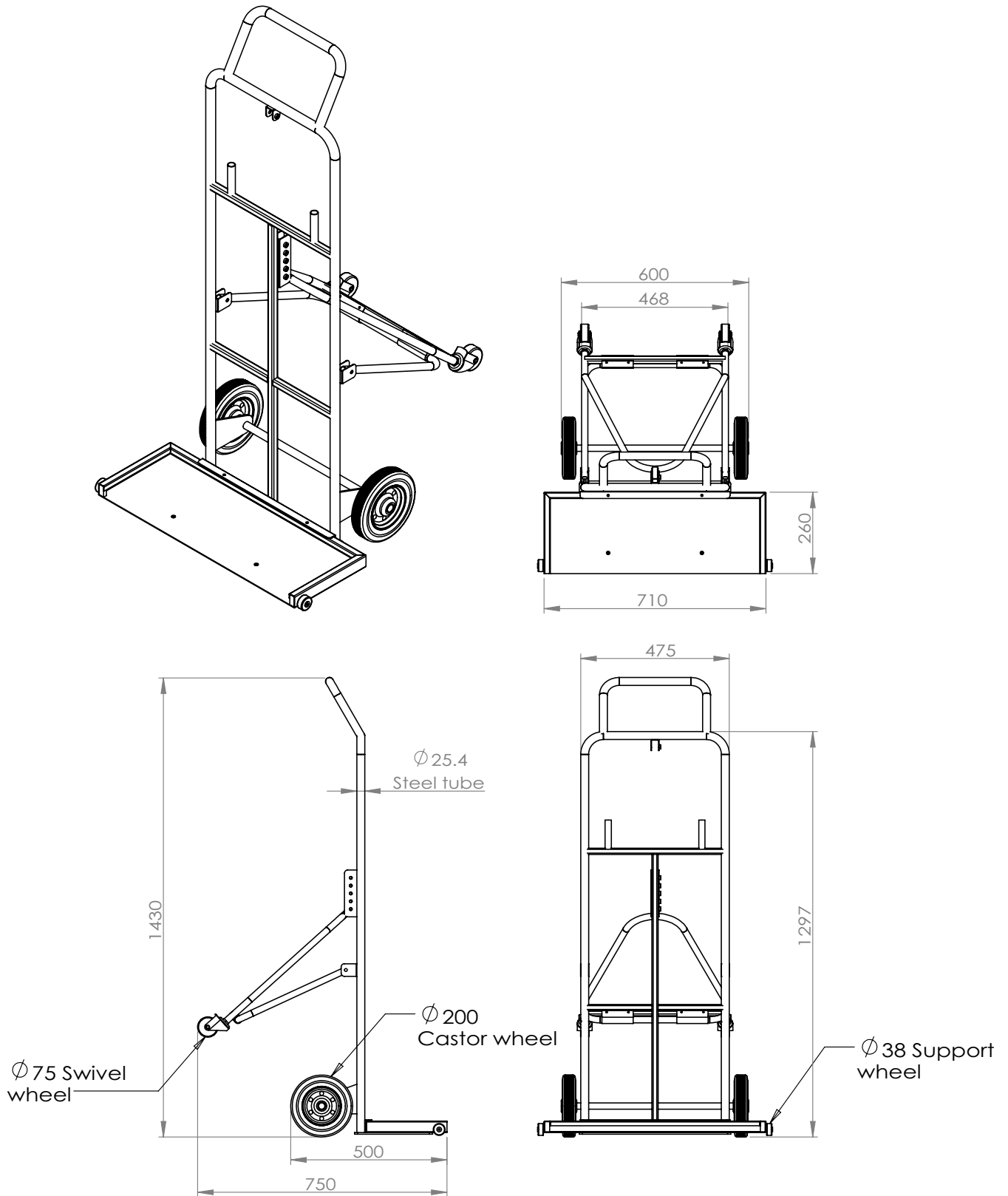
Diagram



AV-TLY1271

School Trolley#1


Diagram



AV-TLY1271

School Trolley#1

Compare of wheels trolley

| | | |
|------------------------------------------------------------------------------------------------------------------------------------------------------------------------------------------------------|-------------------------------------------------------------------------------------------------------------------------------------------------------------------------|-----------------------------------------------------------------------------------------------------------------------------------------------------------------------------------------------------------------------------------|
|  |  |  |
| <p>2-Wheels Trolley (No support)</p> <p>Trolley will need additional support by person and will be unstable when transporting with tall and large items causing toppling or injuries.</p> | <p>3-Wheels Trolley (Normal support)</p> <p>Trolley is stable than 2-wheels but will be still unstable for tall and large items due to 3-points contact.</p> | <p>4-Wheels Trolley (Strong support)</p> <p>Trolley is more stable with 4-points contact evenly to the floor. Items will be safely secured with Strap preventing items from dropping out or toppling from trolley.</p> |