

## AV-TLY1300 Multipurpose Trolley



### Technical specification

- Use for stacking of Chairs or Tables.
- Can handle up to 8 stacked Chairs or Tables.
- Trolley with 4 wheels for safety and stable transportation.
- Feature 2x200mm castor wheels with bearings for smooth transportation
- Feature 2x75mm swivel castor wheels for stable rear support
- Interchangeable Platform with 2x50mm wheels on both sides for smooth movement
- Foldable rear support.
- Strap for safety securing.
- All steel construction with powder coating.
- Dimensions (Folded) : 752mm (W) x 1300mm (H) x 520mm (D)  
Dimensions (unFolded) : 752mm (W) x 1158mm (H) x 853mm (D)
- Colour: Black
- Weight: 21.5kg (With Platform), 17.2kg (w/o Platform)
- Load capacity: 80kg

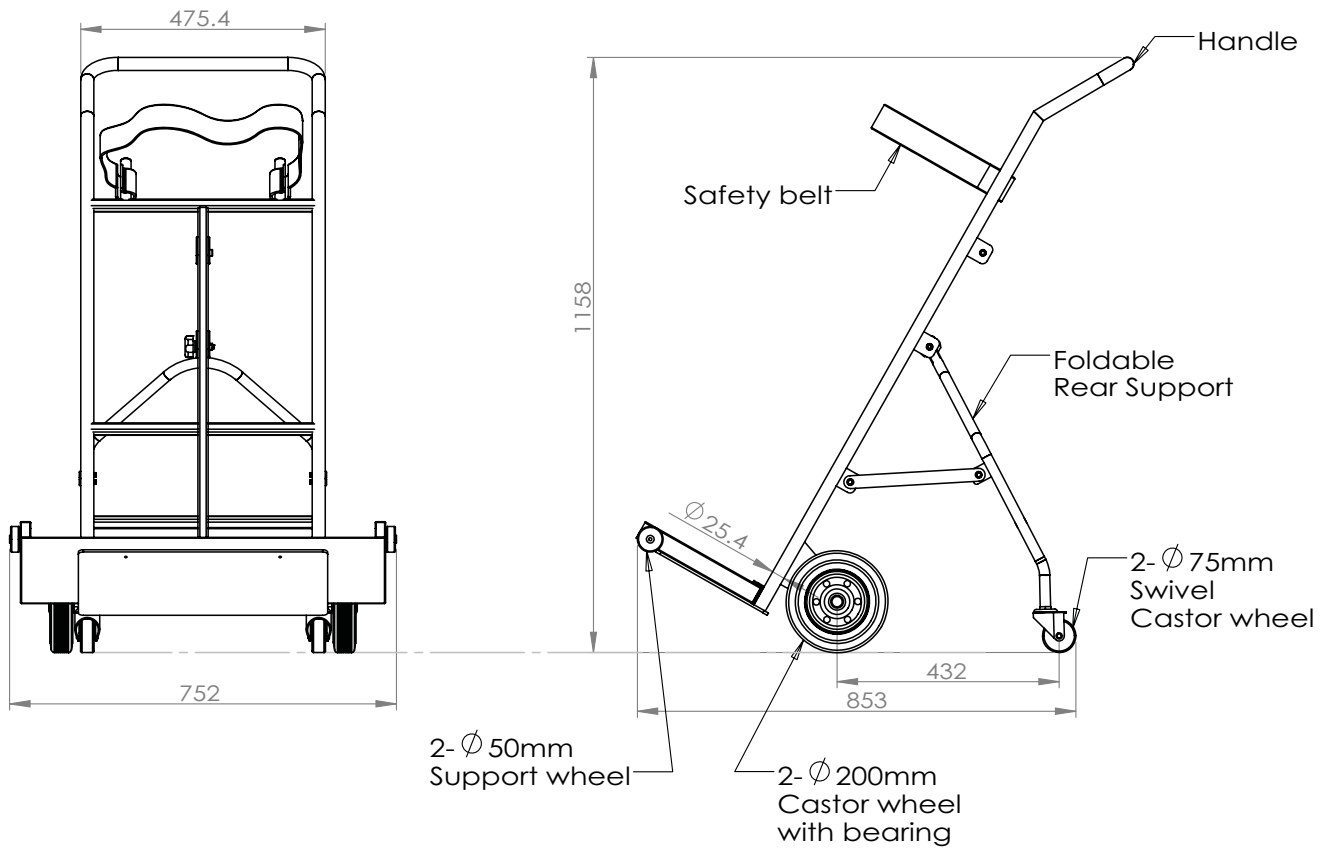
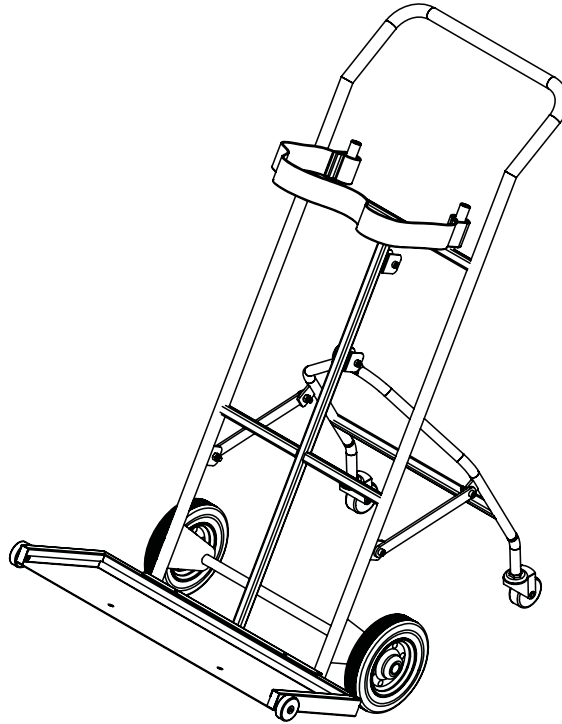
### Diagram



# AV-TLY1300

## Multipurpose Trolley



### Diagram



# AV-TLY1300

## Multipurpose Trolley

### Compare of wheels trolley

		
<p><b>2-Wheels Trolley (No support)</b></p> <p>Trolley will need additional support by person and will be unstable when transporting with tall and large items causing toppling or injuries.</p>	<p><b>3-Wheels Trolley (Normal support)</b></p> <p>Trolley is stable than 2-wheels but will be still unstable for tall and large items due to 3-points contact.</p>	<p><b>4-Wheels Trolley (Strong support)</b></p> <p>Trolley is more stable with 4-points contact evenly to the floor. Items will be safely secured with Strap preventing items from dropping out or toppling from trolley.</p>